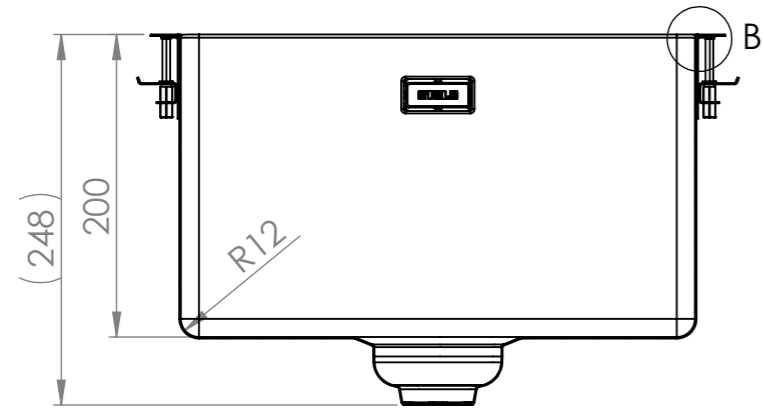


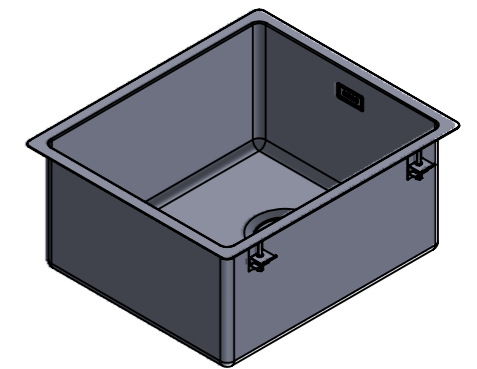
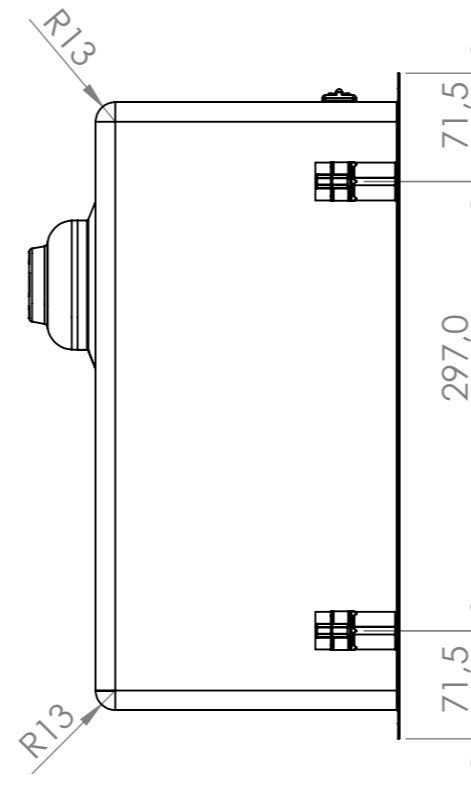
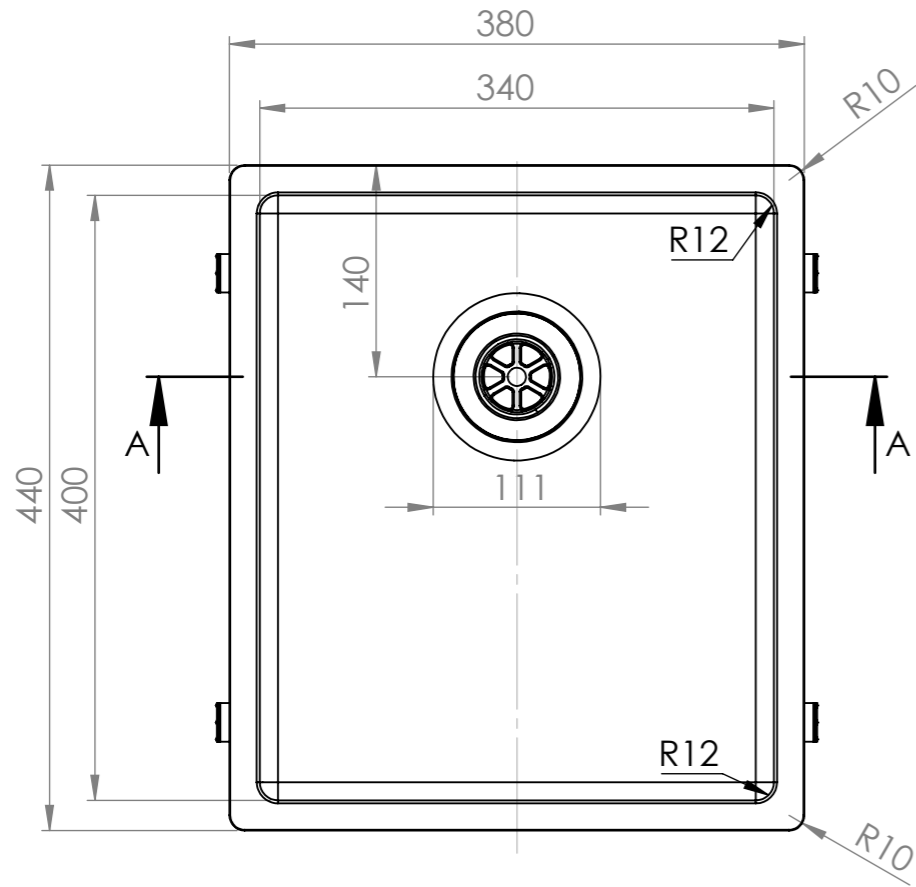
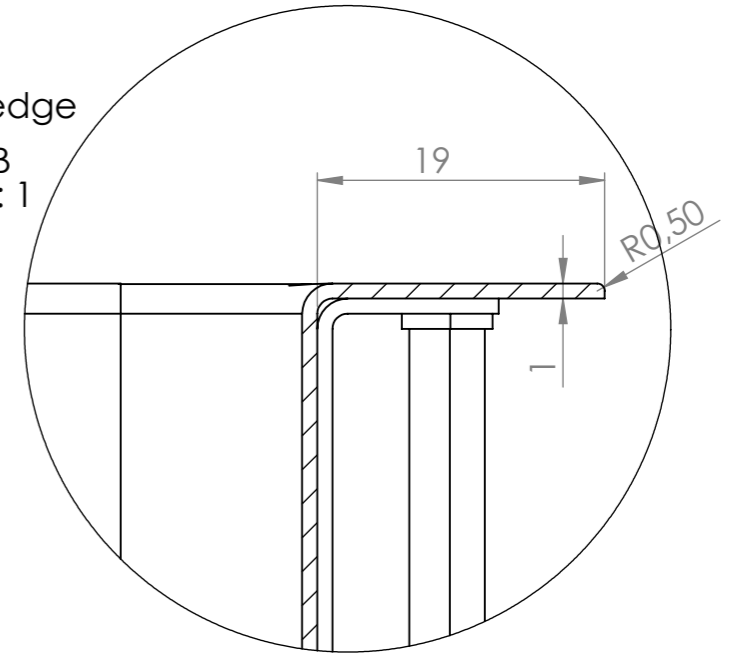
MAIN DIMENSIONS



SECTION A-A

Mono sanded edge

DETAIL B
SCALE 2 : 1

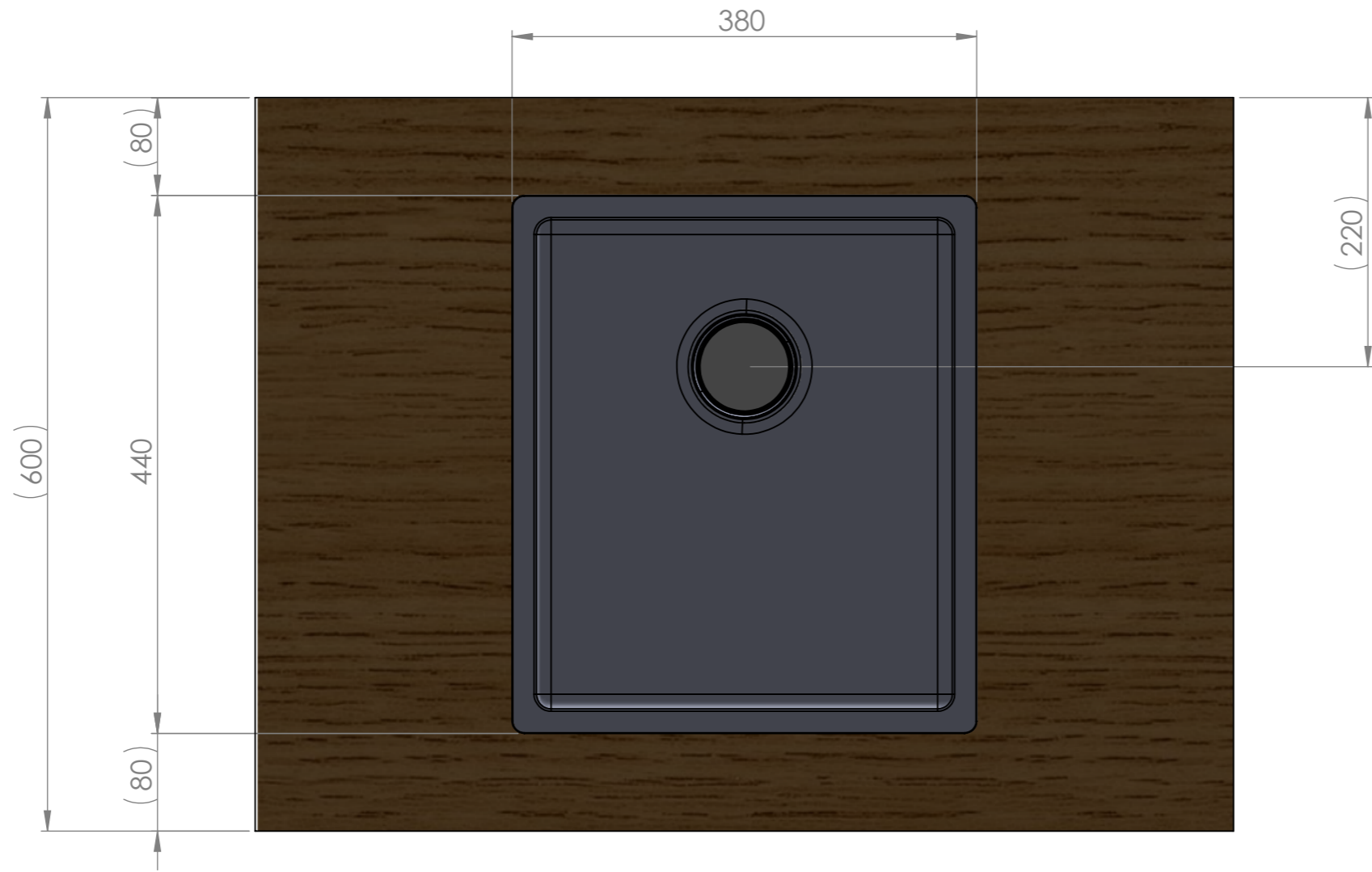


Change description	Date	Designed by
--------------------	------	-------------

	Mass	kg	General tolerance	Designed by	Date
	Size	Scale		Item	VS
	A3	1:5	Description	Approved by	Date
 Member of ALVEUS			ULTRA-34 Technical Data Sheet	VS	09.05.2022
				Drawing number	Sheet/sheets
			19459	1/6	
				Rev	A

WORKTOP ASSEMBLY

Change description	Date	Designed by
--------------------	------	-------------



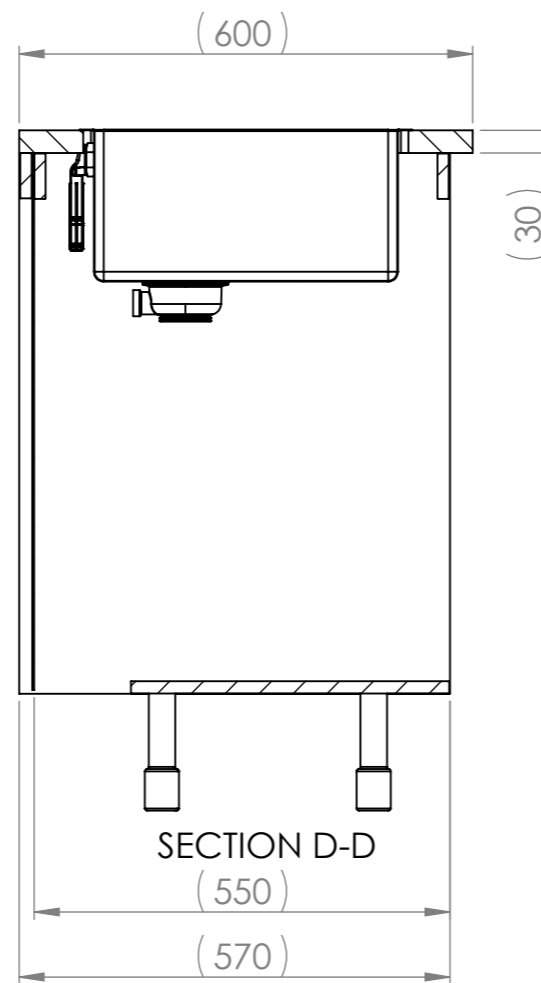
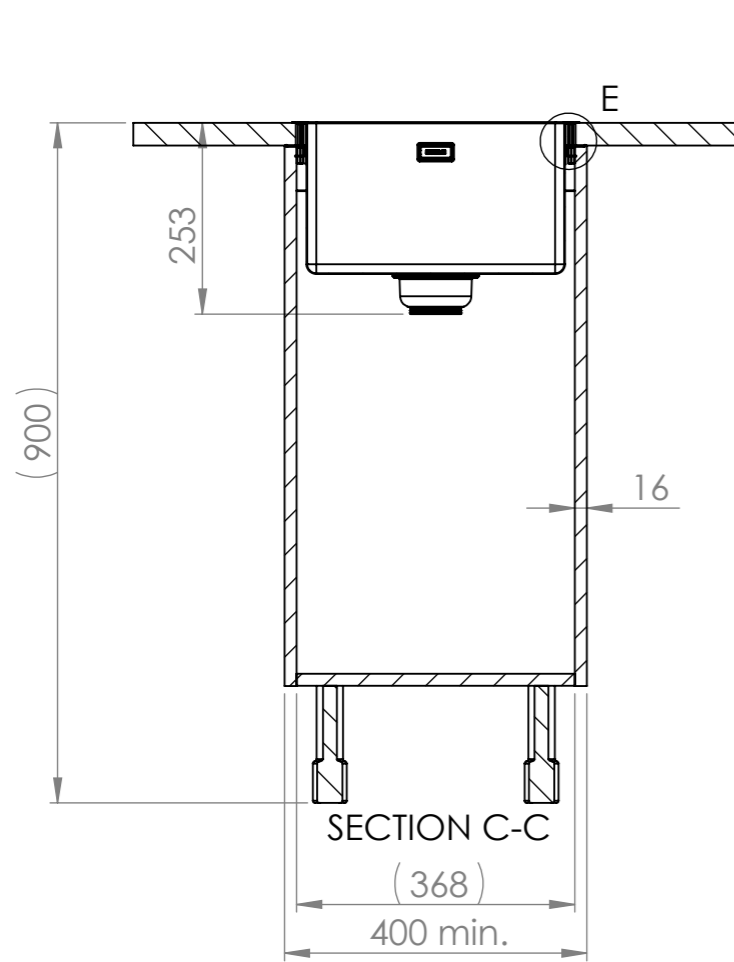
	Mass	kg	General tolerance	Designed by	Date
	Size	Scale	Item	VS	25.04.2022
 Member of ALVEUS	A3	1:5	Description	Approved by	Date
			ULTRA-34	VS	09.05.2022
			Technical Data Sheet	Drawing number	Sheet/sheets
			19459	2/6	Rev
				A	

SPACE REQUIREMENTS

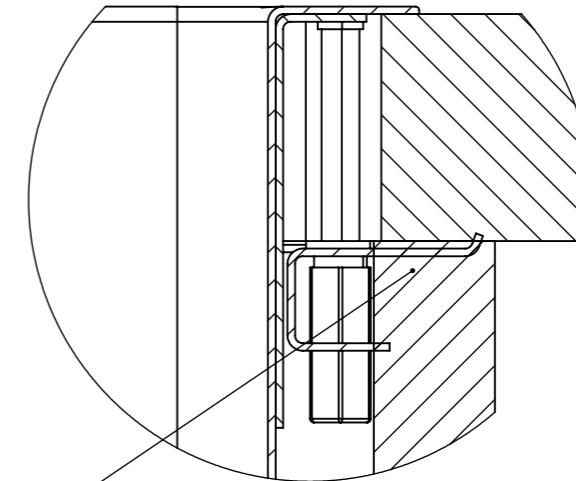
Change description

Date

Designed by



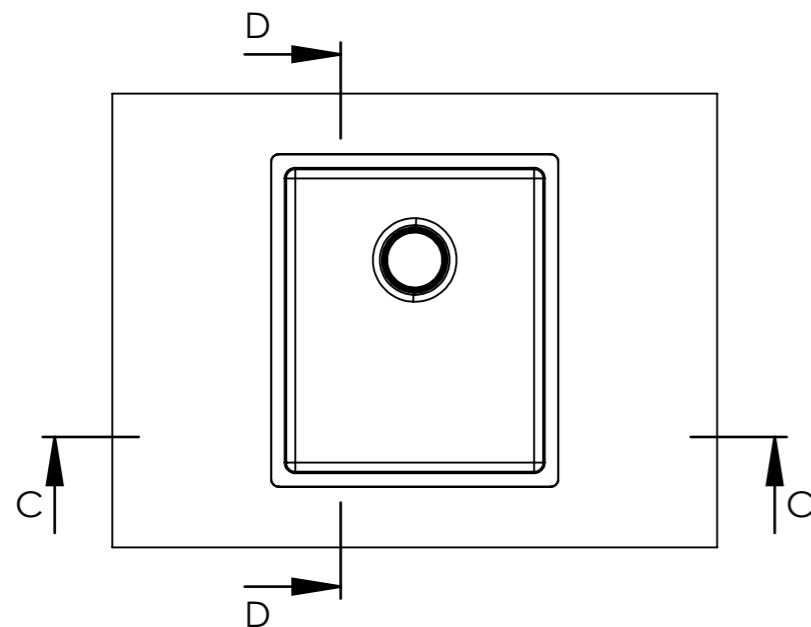
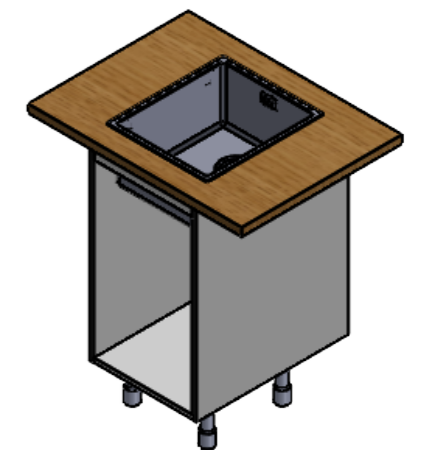
DETAIL E
SCALE 1:1



Huom!
Tarvittaessa kaapin väliseinää ja etu/takalistaa lovetettava kiinnikkeitä varten ja pesuallas on kiinnitettävä ennen työtason asennusta.

Obs!
Vid behov måste en inskärning för hofästena göras i skåpets mellanvägg och förbindningslist och diskbänken måste fästas innan du monterar bänkskivan.

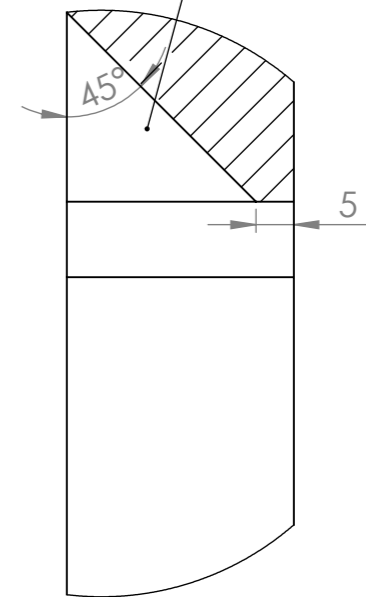
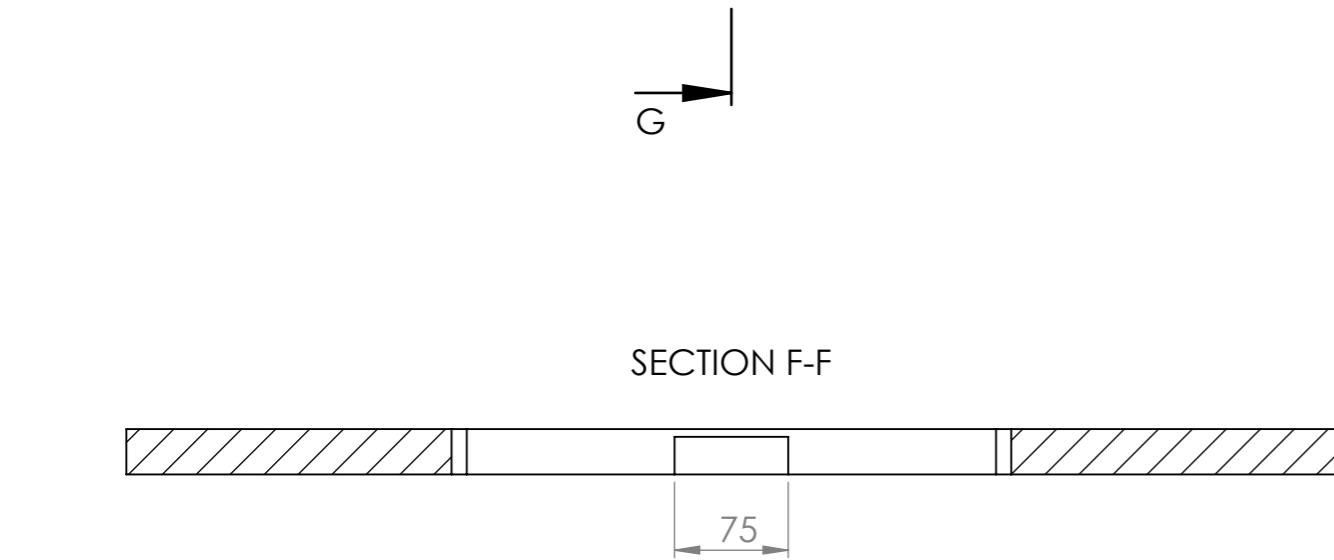
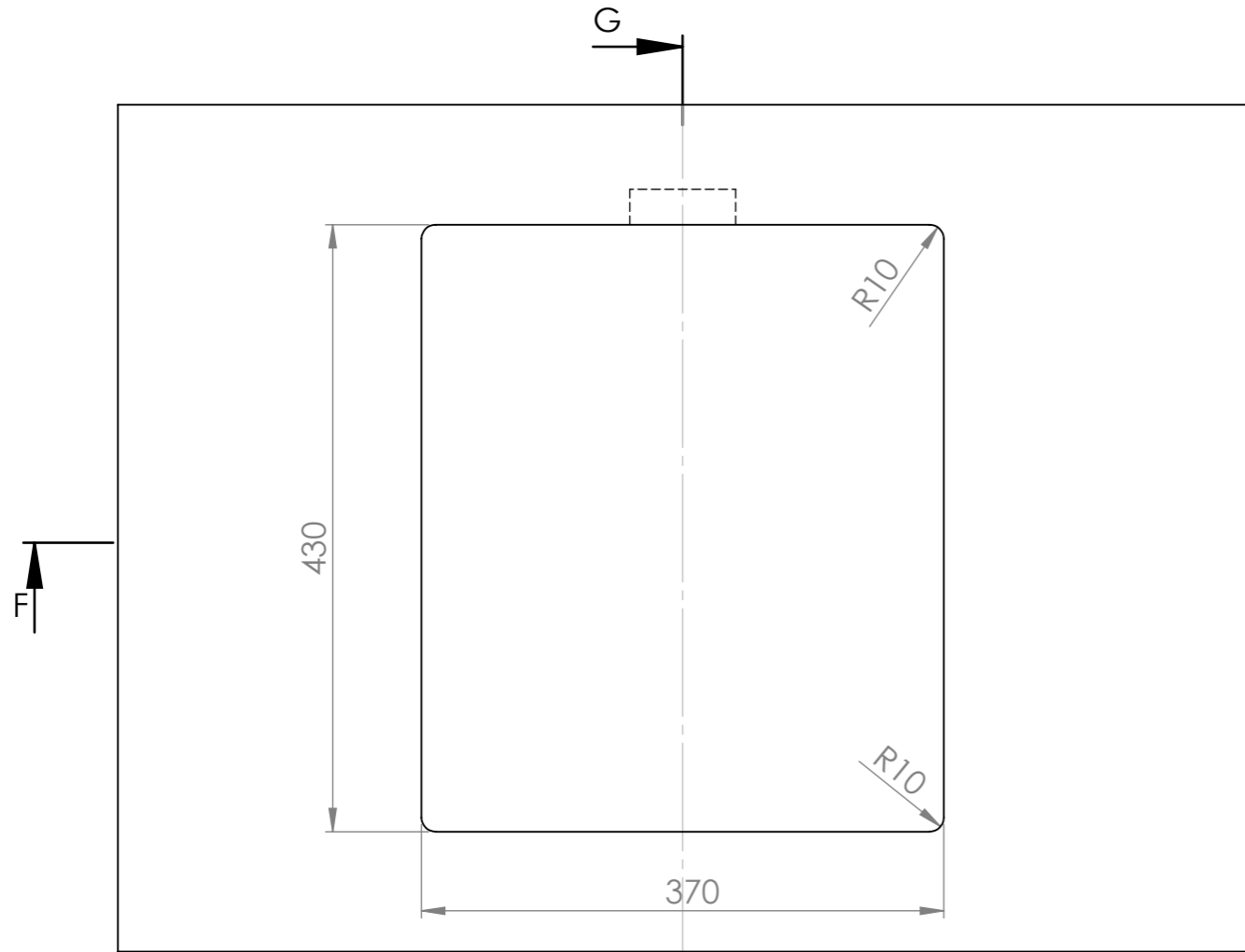
Notice!
The partition walls and front/back list of the cupboard must be notched for the sink mountings when needed and the sink must be fastened before installing the worktop.



	Mass	kg	General tolerance	Designed by	VS	Date	25.04.2022	
	Size	A3		Scale	1:10	Item	Approved by	VS
			Description ULTRA-34 Technical Data Sheet		Drawing number	19459	Sheet/sheets	3/6
Member of					Rev	A		

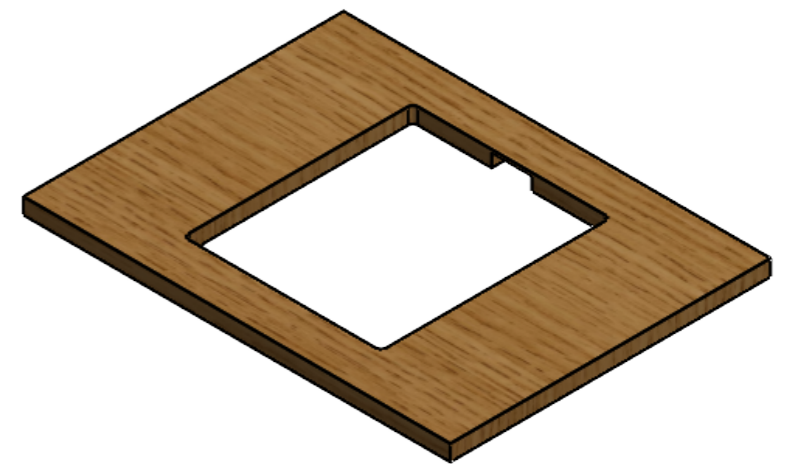
5	6	7	8
Change description	Cut-out for overflow		Date
			Designed by

CUT-OUT



DETAIL H
SCALE 1 : 1

SECTION G-G



	Mass	kg	General tolerance	Designed by	Date
	Size	Scale	Item	VS	25.04.2022
	A3	1:5	Description	Approved by	Date
	Member of ALVEUS	ULTRA-34	Technical Data Sheet	VS	09.05.2022
			Drawing number	Sheet/sheets	
			19459	4/6	
				Rev	A

